



better together

Data sheet

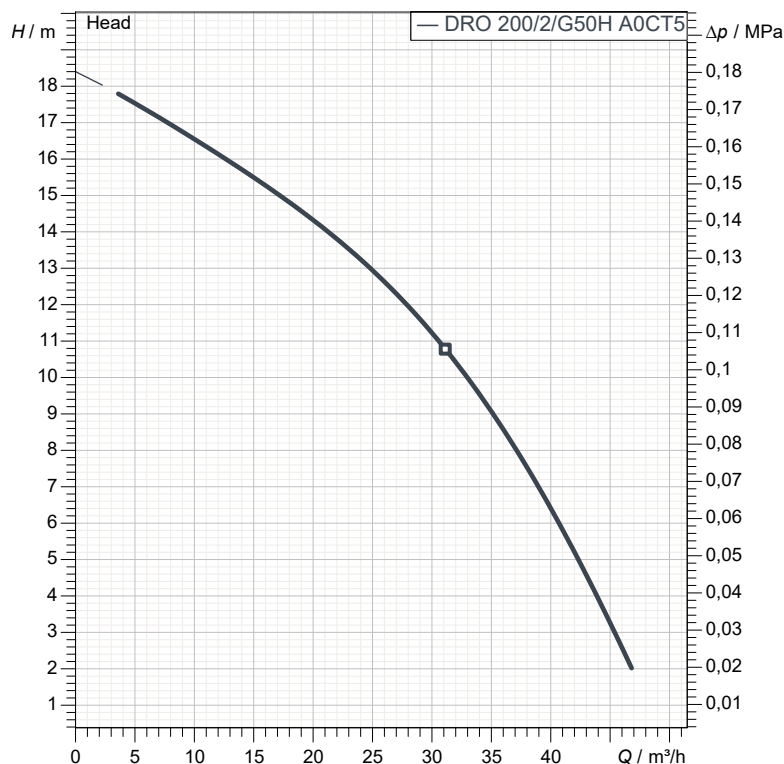
DRO 200/2/G50H A0CT5

O

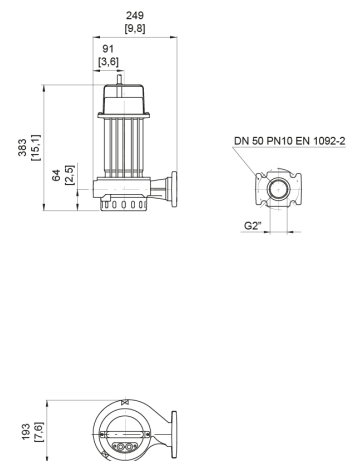
series

Technical specification

3~ 50 Hz



Characteristic curves according to UNI EN ISO 9906:201
P2<10kW: paragraph 4.4.2
10kW<P2<100kW: Grade 3B
P2>100kW: Grade 2B



[mm]
[inch]

Pump

Series	O series
Pump name	DRO 200/2/G50H A0CT5
Configuration	NGNAB40540N00NN
Standard	EN 809:2009

Motor data

Rated voltage	400 V
Frequency	50 Hz
Motor phases	3~
Number of poles	2
Rated power P2	1,50 kW
Incoming power P1	2,00 kW
Rated current	3,5 A
rpm	2.900 1/min
cos φ	0,83
Rated torque	4,9 Nm
Start	Direct starting
Degree of protection	IP 68
Insulation class	F

Hydraulic

Type	DR (Multi-channel open)
Free passage	15 mm
Impeller type	Open channel impeller
Discharge	G 2" -
Curve tolerance	UNI EN ISO 9906:2012

Operating limits (standard pumps)

Max. ambient temperature	40 °C
Max. density treated liquid	1.100 kg/m³
pH treated liquid	6 ÷ 14
Max. start per hour (equally distributed)	30
Wet/dry use	WET
Max. acoustic pressure level	70 dB
Operating mode	S1 - Continuous use

Construction materials

Case	Cast iron EN-GJL 250
Shaft	Stainless steel AISI 431
Hydraulic	Cast iron - EN-GJL 250
Impeller	Cast iron - EN-GJL 250
Painting/Coating	Bi-epoxy 120 μm
Screws	Stainless steel - Class A2-70
Gaskets	NBR
Strainer	Stainless steel - AISI 304

Construction features

Cooling system	No cooling jacket
Main cable	4G1
Control cable	-
Cable length	5 mt
Mechanical seals	1 in silicon carbide (SiC) and 1 in alumina graphite (AL)
Additional drilling	-
Weight*	21,5 kg
Electrical variant	No electrical device equipped

* cable and fixing system excluded



better together

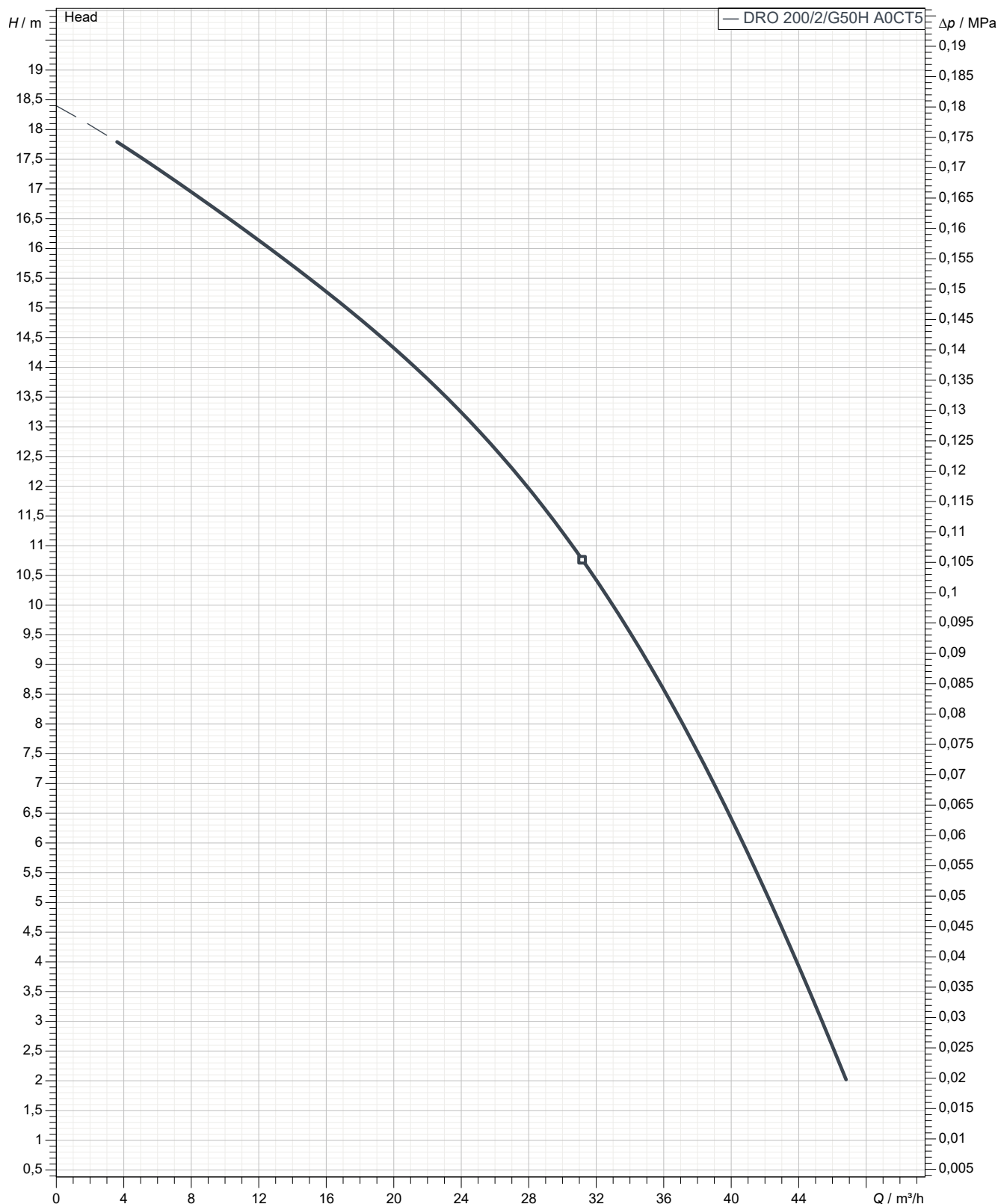
Data sheet DRO 200/2/G50H A0CT5

O
series

Pump performance curves

3~ 50 Hz

Hydraulic type DR (Multi-channel open)	Impeller type Open channel impeller	Free passage 15 mm	Discharge G 2"	Suction -
DUTY POINT				
Flow	Head	Shaft power P2	Hydraulic efficiency	Density 998,3 kg/m ³
				Viscosity 1,005 mm ² /s



Characteristic curves according to UNI EN ISO 9906:2012
 P2<10kW: paragraph 4.4.2
 10kW<P2<100kW: Grade 3B
 P2>100kW: Grade 2B



better together

Data sheet DRO 200/2/G50H A0CT5

O
series

Dimensional drawing

3~ 50 Hz

Installation type Installation with bottom coupling device - Vertical outlet + GTP

WET/DRY use: WET

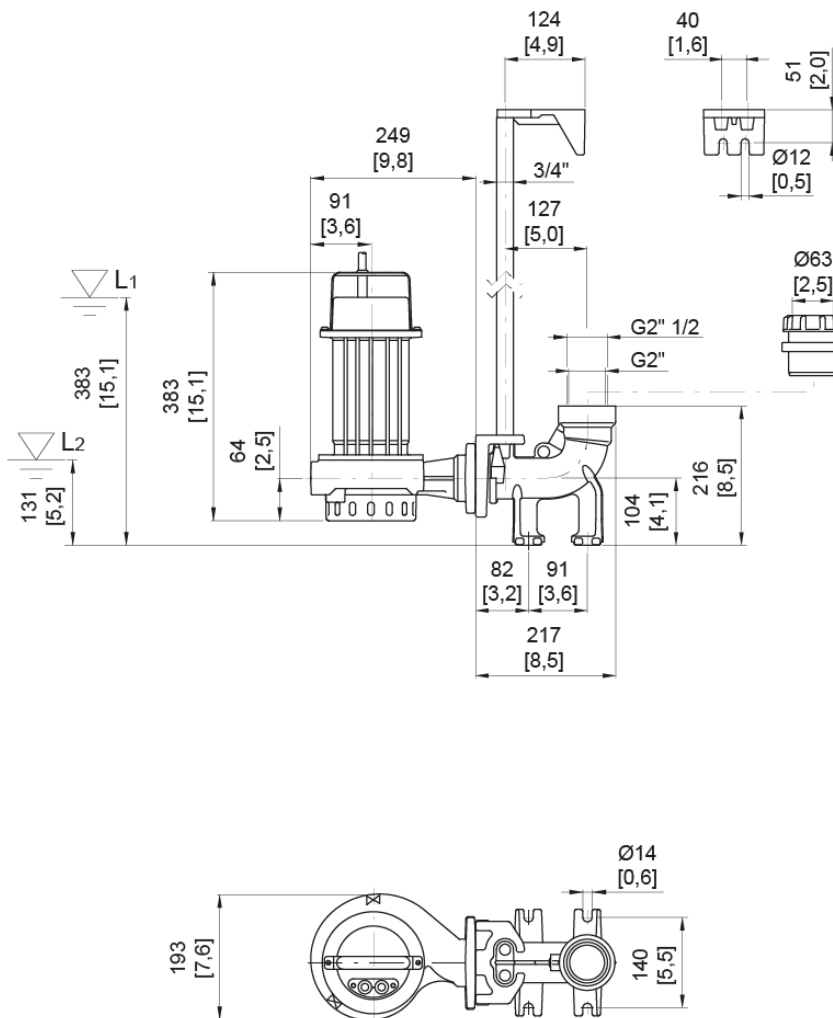
Accessory * : DAC 32-50/G50V-G65V 3/4" EN+GTP (P)

Discharge: G 2" -

Accessory code * : 9028.002

Pressure rating (suction/discharge): -

* Accessory must be ordered separately



L1: Minimum operating level for continuous use
L2: Minimum operating level for discontinuous use

[mm]
[inch]