



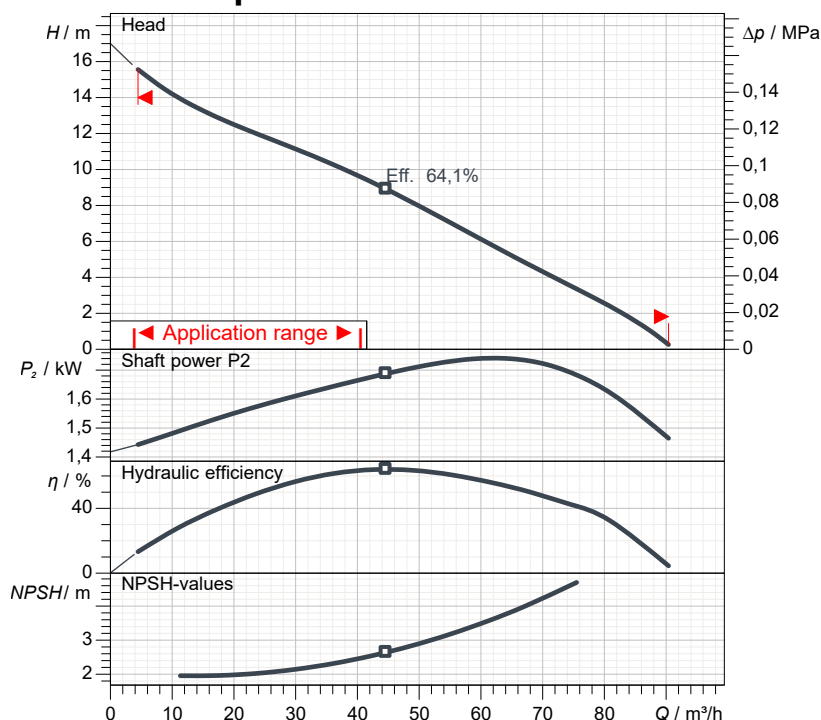
better together

# Data sheet DRG 250/2/80 L0AT5

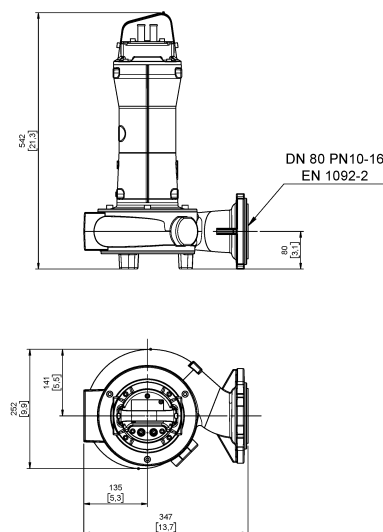
**GREY**  
series

## Technical specification

**3~ 50 Hz**



Characteristic curves according to UNI EN ISO 9906:2012  
P2 < 10kW: paragraph 4.4.2  
10kW < P2 < 100kW: Grade 3B  
P2 > 100kW: Grade 2B



[ mm ]

### Pump

Series	GREY series
Pump name	DRG 250/2/80 L0AT5
Configuration	NGNAB51040N00NN
Standard	CE

### Operating limits (standard pumps)

Max. ambient temperature	40 °C
Max. density treated liquid	1.100 kg/m³
pH treated liquid	6 ÷ 14
Max. start per hour (equally distributed)	30
Wet/dry use	WET
Max. acoustic pressure level	70 dB
Operating mode	S1 - Continuous use

### Motor data

Rated voltage	400 V
Frequency	50 Hz
Motor phases	3~
Number of poles	2
Rated power P2	1,80 kW
Incoming power P1	2,19 kW
Rated current	3,7 A
rpm	2794 1/min
Efficiency	82,3 %
cos φ	0,853
Rated torque	6,2 Nm
Start	Direct starting
Starting current	21,9 A
Degree of protection	IP 68
Insulation class	H
Capacitor	
Starting Capacitor	

### Construction materials

Case	Cast iron EN-GJL 250
Shaft	Stainless steel AISI 431
Hydraulic	Cast iron EN-GJL 250
Impeller	Cast iron EN-GJL 250
Painting/Coating	Bi-epoxy 200 µm sea water
Screws	Stainless steel - Class A2-70
Gaskets	NBR

### Construction features

Cooling system	No cooling jacket
Main cable	4G1
Cable length	10 mt
Mechanical seals	2 in silicon carbide (2SiC)
Additional drilling	-
Weight*	36 kg
Electrical variant	No electrical device equipped

\* cable and fixing system excluded

### Hydraulic

Free passage	35 x 30 mm
Impeller type	Open channel impeller
Max. hydraulic efficiency	64,1 %
Suction	DN 80 UNDRILLED
Discharge	DN 80 EN 1092-2



better together

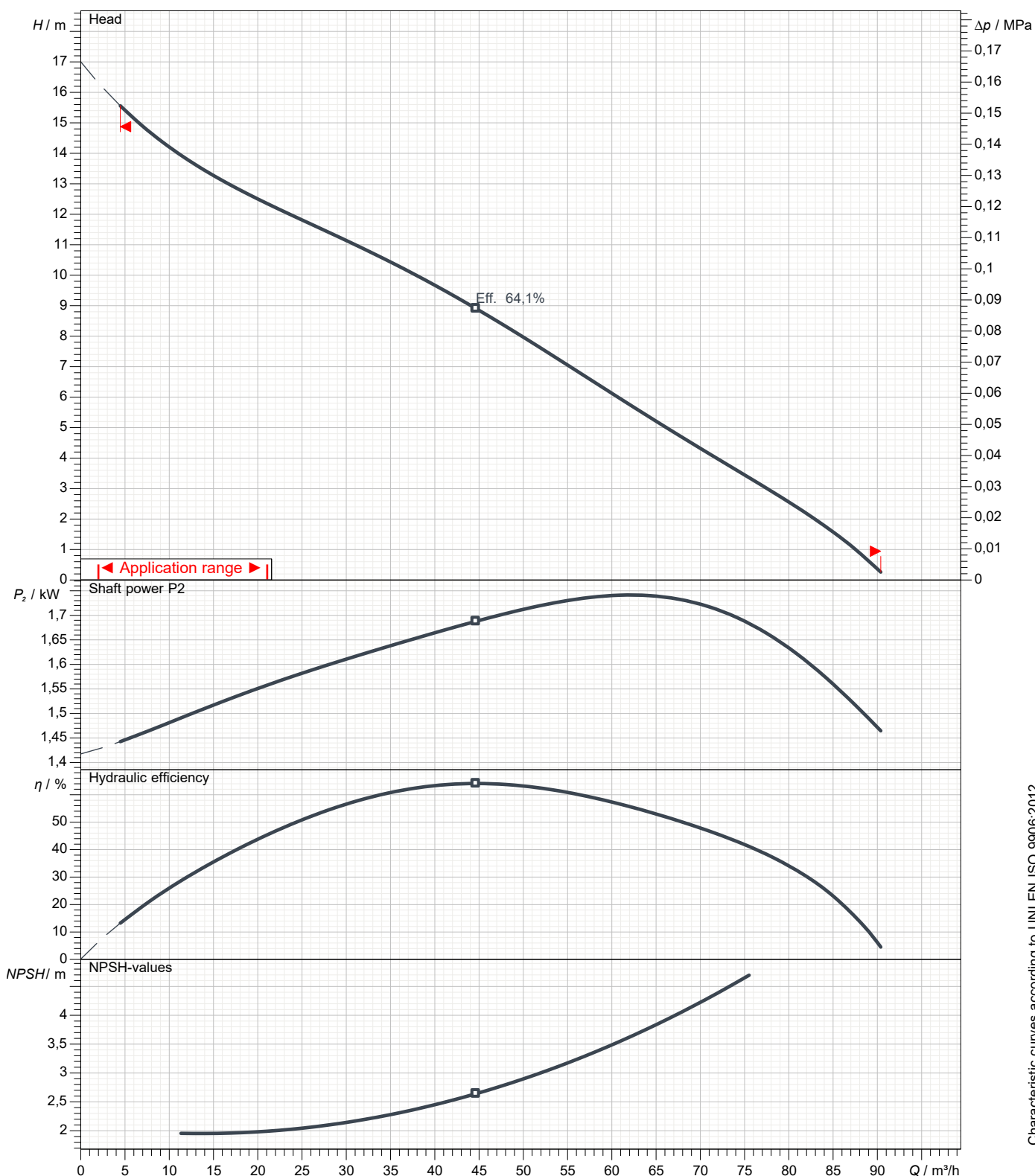
# Data sheet DRG 250/2/80 L0AT5

GREY  
series

## Pump performance curves

3~ 50 Hz

<b>Impeller type</b> Open channel impeller		<b>Free passage</b> 35 x 30 mm	<b>Discharge</b> DN 80	<b>Suction</b> DN 80
<b>DUTY POINT</b>				
<b>Flow</b>	<b>Head</b>	<b>Shaft power P2</b>	<b>Hydraulic efficiency</b>	<b>Density</b> 998,3 kg/m <sup>3</sup>
				<b>Viscosity</b> 1,005 mm <sup>2</sup> /s



Characteristic curves according to UNI EN ISO 9906:2012  
P2<10kW: paragraph 4.4.2  
10kW<P2<100kW: Grade 3B  
P2>100kW: Grade 2B



better together

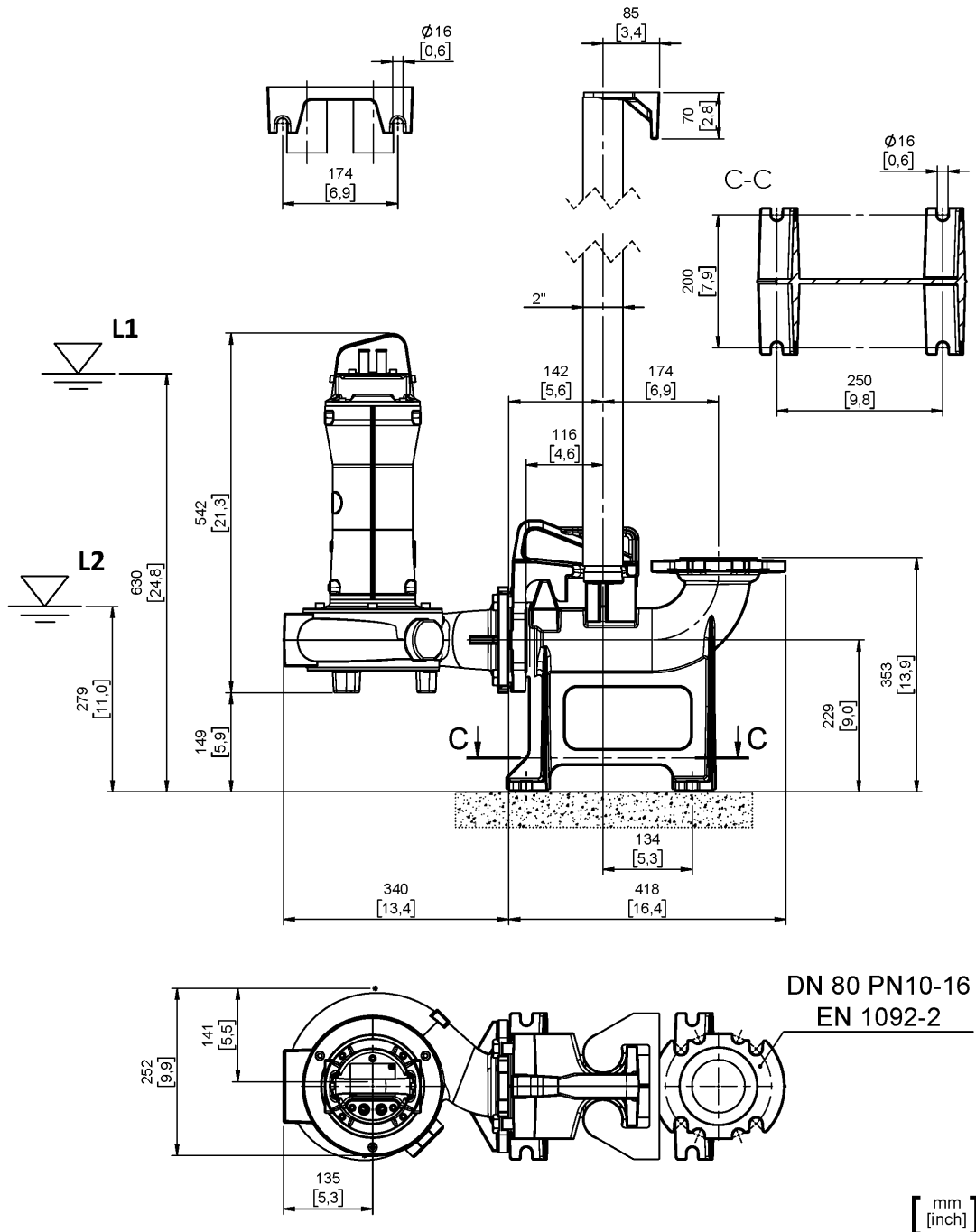
# Data sheet DRG 250/2/80 L0AT5

GREY  
series

## Dimensional drawing

3~ 50 Hz

<b>Installation type</b> Installation with bottom coupling device - Vertical outlet		
<b>Wet/dry use</b> WET	<b>Drilling variant</b> N	<b>Flushing valve - drilling</b> -
<b>Discharge</b> DN 80 EN 1092-2	<b>Suction</b> DN 80 UNDRILLED	<b>Pressure rating (suction/discharge):</b> -/PN 10
<b>Accessory</b> DAC 80/80V+KAF 116-2" EN (P)		<b>Accessory code</b> 9001.032
<b>Note: Accessory must be ordered separately</b>		



L1: Minimum operating level for continuous use

L2: Minimum operating level for discontinuous use (excluding -EX/FM models)